

# SBL 40-12i (12V 40Ah)

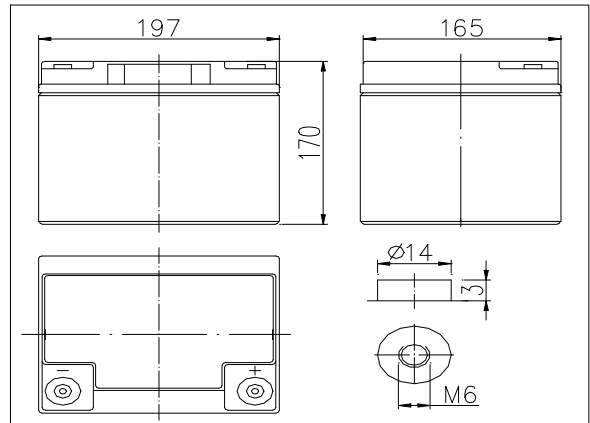
High Performance battery with 10-12 years design life (EUROBAT)

Status: 01-2014

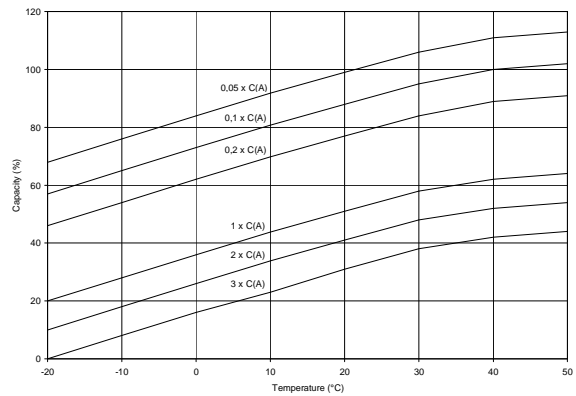
## Specifications

Nominal Voltage		12V
Capacity (10hr@25°C@1.80V/C)		40.0 Ah
Dimensions	Length	197mm (7.76 inch)
	Width	165mm (6.50 inch)
	Height	170mm (6.69 inch)
	Total Height	170mm (6.69 inch)
Approx. Weight		13.0 kg (28.66 lbs)
Maximum charging current		12A
Maximum discharge current		400A (5sec.)
Internal resistance (Fully charged, 25°C)		Approx. 9.5mΩ
Capacity affected by temperature (10hr)	40°C	102%
	25°C	100%
	0°C	85%
	-15°C	65%
Self-discharge (25°C)	3 month	Remaining Capacity: 91%
	6 month	Remaining Capacity: 82%
	12 month	Remaining Capacity: 65%
Nominal operating temperature		25°C (77°F)
Operating temperature range		-15°C ~ 50°C (5°F ~ 122°F)
Float charging voltage (25°C)		13.65 to 13.80V
Cyclic charging voltage (25°C)		14.50 to 14.90V
Absorbent glass mat technology		
ABS (UL94-HB) container		<b>Recognized by UL &amp; CE</b>

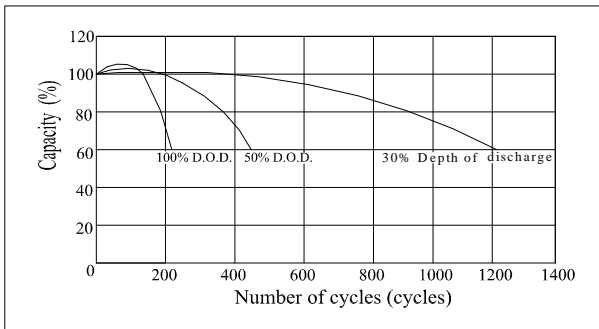
## Dimensions



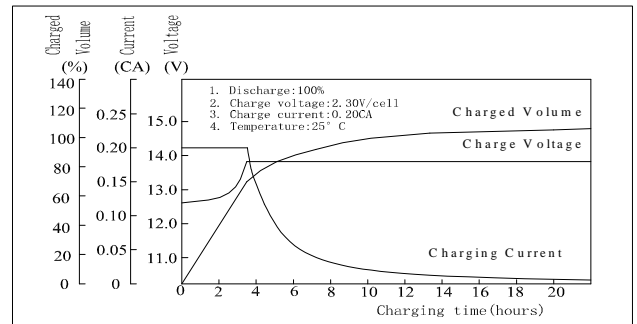
## Temperature Effects in Relation to Battery Capacity



## Cycle Life (25°C)



## Charging Characteristics (25°C)



## Constant Current Discharge Characteristics (Ampere per Battery, 25°C)

F.V./TIME	10min	15min	30min	1h	2h	3h	4h	5h	8h	10h	20h
9.60V	101,91	74,16	45,60	25,20	14,82	10,65	8,95	7,32	5,14	4,37	2,31
9.90V	98,62	71,55	44,47	24,98	14,45	10,43	8,73	7,04	5,12	4,32	2,26
10.2V	95,33	68,94	43,33	24,76	14,09	10,21	8,51	6,75	5,10	4,27	2,22
10.5V	89,38	65,19	42,80	24,77	14,11	10,14	8,46	6,77	4,97	4,19	2,15
10.8V	81,19	59,80	41,19	24,16	13,78	9,82	8,20	6,61	4,71	4,00	2,03

## Constant Power Discharge Characteristics (Watt per Battery, 25°C)

F.V./TIME	10min	15min	30min	1h	2h	3h	4h	5h	8h	10h	20h
9.60V	995,53	739,06	499,55	280,29	166,57	120,35	101,51	83,31	58,58	49,92	26,41
9.90V	968,35	716,74	489,65	279,35	163,30	118,49	99,53	80,47	58,66	49,58	26,01
10.2V	941,18	694,41	479,75	278,41	160,03	116,63	97,55	77,63	58,73	49,25	25,61
10.5V	907,76	675,67	468,60	279,56	160,91	116,31	97,36	78,10	57,46	48,49	24,92
10.8V	851,65	640,04	445,75	273,73	157,76	113,08	94,73	76,63	54,75	46,53	23,61

All mentioned values are average values.